

DynaLogger HF+

Datasheet Feb. 2023











Overview

The DynaLogger HF+ is designed to identify failure mode symptoms or defects in machinery and equipment in **a wide variety of field applications**. Due to its broad frequency spectrum, the HF+ delivers complete triaxial vibration and temperature monitoring for **low to high-speed equipment**. In addition, the solution features an **online platform**, with no local installation required, with several tools that assist in data analysis and enable constant monitoring of asset health.

The HF+ DynaLogger has two monitoring modes: spectral/waveform and telemetry. Configurable **telemetry monitoring** in bands includes several metrics such as acceleration, velocity, and displacement in RMS, peak, peak to peak, and crest factor, as well as skewness, kurtosis, and contact temperature. In **spectral monitoring**, different tools can be used: spectrum, waveform (linear, circular and orbital), frequency filters, cepstrum, spectral envelope (demodulation), autocorrelation and multimetrics.

Wireless Monitoring Solution

-  Compact sensor with wide frequency range.
-  Long battery life.
-  High resolution in frequency and amplitude.
-  Over 40 telemetry metrics that can be applied in different frequency bands up to 13 kHz.
-  Low speed applications (less than 10 RPM).
-  Sensor with low spectral noise.
-  Truly simultaneous triaxial measurement.
-  Remote sensor updating.

Main assets monitored

- Motors
- Pumps
- Fans
- Gearboxes
- Rollers and Brakes
- Compressors and chillers
- Wind turbines
- Bearings in assets with high and low speed



Technical Specifications

Model	HF+
Dimensions	39 x 39 x 35 mm
Weight	73 g
Material	LEXAN™
Color	Blue
Mounting	Glued or Screwed
Visual Signaling (LED)	Red / Green
Accelerometer	MEMS Triaxial
Accelerometer Impact Limit	10.000 g in 0,2 ms
Temperature Range^{1,2}	-20°C ≤ T ≤ 84°C

Certification

Homologation / Certification	ANATEL/CE/ACMA/FCC/IC
-------------------------------------	-----------------------

Battery

Voltage	3 V
Autonomy³	3 to 5 years

Continuous Monitoring (Telemetry)

Sampling Period	1 to 60 min
Monitored Metrics	RMS Acceleration, Peak and Peak to Peak
	RMS Velocity, Peak and Peak to Peak
	RMS Displacement, Peak and Peak to Peak
	Acceleration Skewness
	Acceleration Kurtosis
	Acceleration Crest factor (CF)
	Acceleration Crest factor + (CF+)
Contact Temperature	
Temperature resolution	0,01°C
Frequency Bands	2 Hz to 13 kHz (configurable)
Monitoring Profiles⁴	2 profiles
Frequency Response (± 3 dB)	7,6 kHz
Dynamic Range	Up to ±16 g
Memory⁵	51.200 samples (configurable)

Communication and System

Bluetooth	BLE 5.3 / 2400 – 2483,5 MHz
Free Field Range⁶	100 m
RF Output Power	0,4 dBm
App Communication	Android and iOS

1- It is possible to monitor assets whose temperature exceeds 84°C, especially assets with intermittent characteristics and with room temperature below 24°C. However, Dynamox does not provide warranty in these cases.

2 - The application at temperatures below 0°C impacts the battery autonomy. This effect worsens the lower the temperature, estimating a reduction of about 50% of useful life in applications at -20°C.

3 - Estimated value for a standard monitoring condition with 1 or 2 daily spectral collections, telemetry intervals of 5 to 30 minutes and operating temperature between 20°C and 60°C.

4 - Monitoring profiles can be understood as set configurations of vibration metrics (in velocity, acceleration and displacement) in a given frequency band.

5 - Each telemetry metric corresponds to the allocation of a sample in memory. In practice, the time to fill the memory depends on the sample interval and number of metrics configured. It is important to remember that when a data collection is performed (App or Gateway), the memory is emptied.

6 - Reference in free field. Bluetooth communication distance may vary with obstacles, interference and device (cell phone or Gateway)



Spectral Monitoring and Waveform

Analysis Tools	Spectrum
	Frequency filters
	Envelope (demodulation)
	Cepstrum
	Spectral Waterfall
	Autocorrelation
	Circular and orbital waveform
	Advanced metrics: Multiband RMS, envelope, velocity and acceleration in peak to peak and kurtosis, FC, FC+, Haystack energy
Frequency Response ($\pm 5\%$)	7 kHz
Frequency Response ($\pm 3\text{dB}$)	7,6 kHz
Spectral noise density	< 75 $\mu\text{g}/\sqrt{\text{Hz}}$
Sample Rate	Up to 26 kHz
Minimum Frequency Resolution	0,006 Hz (8 bits) and 0,012 Hz (16 bits)
Minimum Resolution in Amplitude¹	16 mg (8 bits) and 61 μg (16 bits)
Amplitude Range	Up to $\pm 16\text{g}$
Lines of Resolution (LOR)	98.304 (uniaxial) and 32.768 (triaxial)
Maximum Frequency	571 Hz to 13 kHz (configurable)
Maximum Collection Time²	172,2 s (uniaxial) and 57,3 s (triaxial)

Spectral Monitoring Settings Triaxial Simultaneous

Max. Freq. (Hz)	Duration (s)						RPM min. ³
	0,08	0,16	0,31	0,62	1,25	2,5	
13.145	0,08	0,16	0,31	0,62	1,25	2,5	24,0
6.572	0,16	0,31	0,62	1,25	2,5	5,0	12,0
2.629	0,4	0,8	1,6	3,1	6,2	12,5	4,8
1.314	0,8	1,6	3,1	6,2	12,5	24,9	2,4
571	1,8	3,6	7,2	14,3	28,7	57,3	1,0
N. Lines	1.024	2.048	4.096	8.192	16.384	32.768*	-

Uniaxial

Max. Freq. (Hz)	Duration (s)								RPM min. ³
	0,08	0,16	0,31	0,62	1,25	2,5	3,7	7,5	
13.145	0,08	0,16	0,31	0,62	1,25	2,5	3,7	7,5	8,0
6.572	0,16	0,31	0,62	1,25	2,5	5,0	7,5	15,0	4,0
2.629	0,4	0,8	1,6	3,1	6,2	12,5	18,7	37,4	1,6
1.314	0,8	1,6	3,1	6,2	12,5	24,9	37,4	74,8	0,8
571	1,8	3,6	7,2	14,3	28,7	57,3	86,0	172,0	0,3
N. Lines	1.024	2.048	4.096	8.192	16.384	32.768	49.152	98.304*	-

1 - Calculated amplitude resolution is based on the accelerometer digital output in $\mu\text{g}/\text{LSB}$ or mg/LSB .

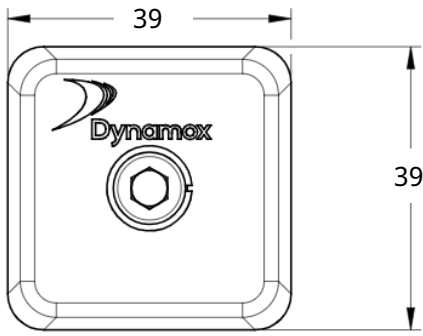
2 - Check the setting in the 'Spectral Monitoring Settings' table.

3 - Minimum RPM based on the longest measurement considering one full revolution of the shaft.

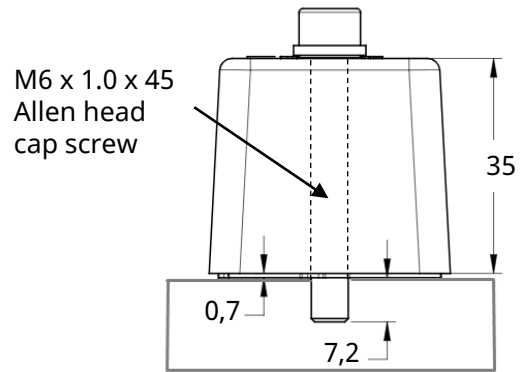
* - Setting available with 8 bits of amplitude resolution



Geometric dimensions

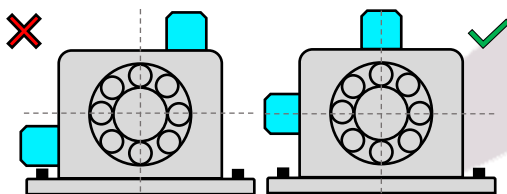


Dimensions in millimeters

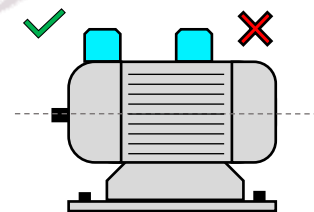


Quick Mounting Guide

- Define the critical points of the machines to be monitored for the DynaLoggers installation;
- It is only necessary to install one DynaLogger per monitoring point, because the devices are triaxial;
- Avoid installation in areas of the housings that presents any stiffness loss. Example: cooling fins, covers, and protections. Try to install in rigid parts of the machine, preferably near the bearings;
- Align one of the axes of the DynaLogger with the actual axis of the machine. These axes are shown in the schematic above and on the body of the devices. A detailed installation guide can be found at Dynamox's [support website](#).



It is recommended, as much as possible, to install the DynaLoggers centrally in the component.



Installation on cooling fins and covers is not recommended. Note: For motors, the recommendation is to install a sensor on the coupled side and another one on the opposite side for complete monitoring.

Regarding the types of mounting, the HF+ DynaLogger can be:

Screwed: M6 screw with a length that allows a minimum 7.2 mm depth to the drilled surface. It is recommended to use a spring washer and to apply a 11 N-m torque.

Glued: After cleaning the site, apply adhesive glue to cover the entire sensor base. Dynamox recommends the adhesives DP8810, DP8710 and DP420 from 3M.

Magnetic Basis: Can be used in occasional cases where easy removal is desired. Not recommended for permanent installations, due to loss of high frequency response.





© 2022, Dynamox®. Dynapredict® is a registered trademark of Dynamox. All rights reserved.

The contents of this publication are presented for informational purposes only. Every care has been taken to ensure the validity of the information contained in this publication, but no liability can be assumed for any loss or damage whether direct, indirect or consequential arising out of the use of the information contained herein. We reserve the right to modify or improve the specifications of our products at any time without notice.

Contact Us
 www.dynamox.net/contact-us

DAT-HF+:022023-00/EN - [PUBLIC DOCUMENT]

